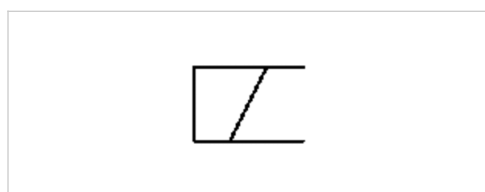


Coil, Series CO1

- Cable with valve plug connector
- Coil width 30 mm
- Power consumption DC 3.25 W
- Holding power AC 2.9-3 VA
- Switch-on power AC 3-3.1 VA
- ATEX



Certificates	ATEX
ATEX class G	II 2G Ex mb IIC T4 Gb
ATEX class D	II 2D Ex mb tb IIIC T130°C Db IP65
Ambient temperature min./max.	-20 ... 50 °C
Protection class	IP65
Duty cycle ED	100 %
Compatibility index	14
Weight	See table below



Technical data

Part No.	Operational voltage		Operational voltage
	DC	AC 50 Hz	AC 60 Hz
1827414297	-	230 V	230 V
1827414298	-	230 V	230 V
1827414299	-	110 V	110 V
1827414301	-	24 V	24 V
1827414303	24 V	-	-
1827414304	24 V	-	-

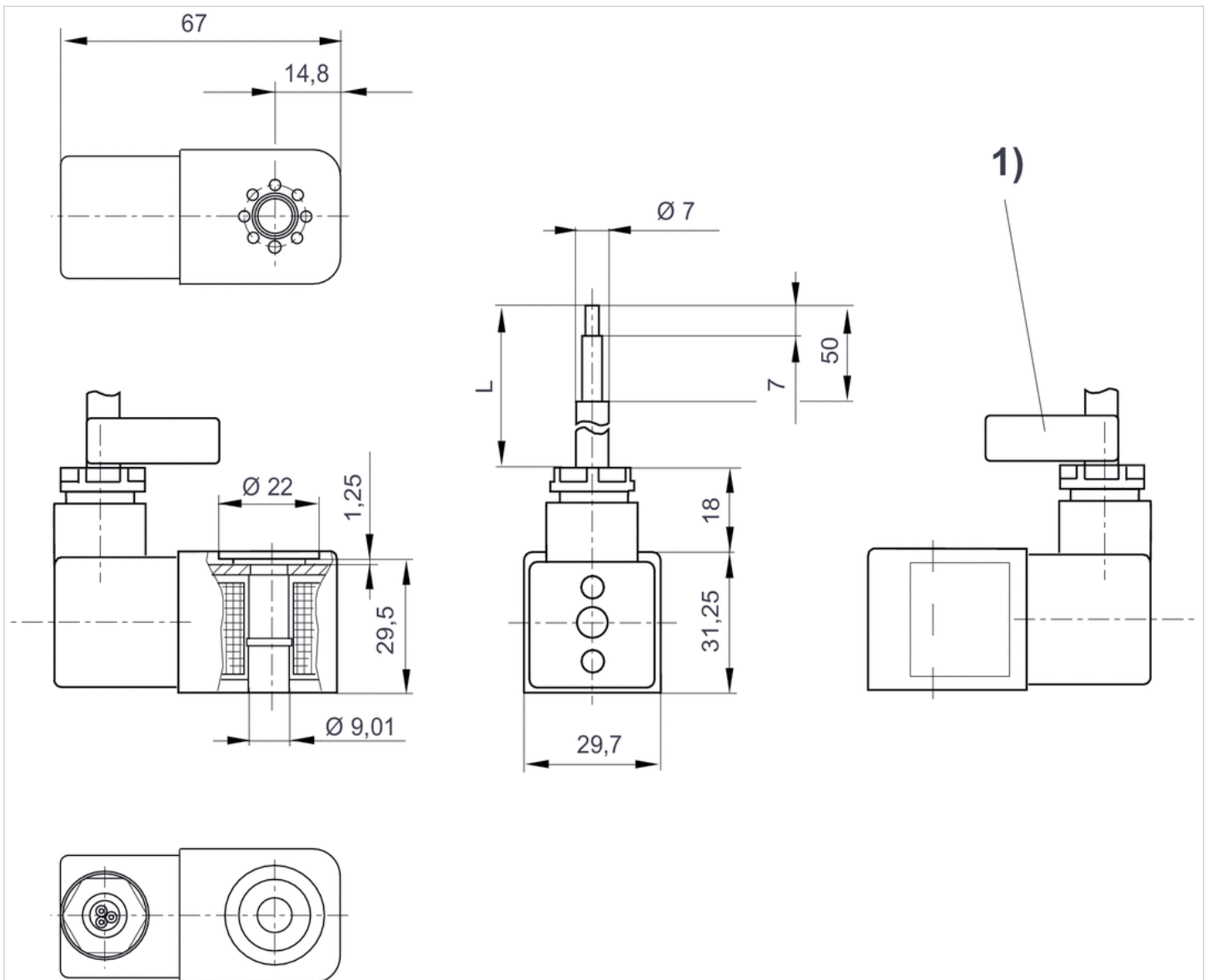
Part No.	Voltage tolerance		Power consumption		Holding power	
	DC	AC 50 Hz	DC	AC 50 Hz	DC	AC 50 Hz
1827414297	-	-10% / +10%	-	3 VA	-	3 VA
1827414298	-	-10% / +10%	-	3 VA	-	3 VA
1827414299	-	-10% / +10%	-	2.9 VA	-	2.9 VA
1827414301	-	-10% / +10%	-	2.9 VA	-	2.9 VA
1827414303	-10% / +10%	-	3.25 W	-	3.25 W	-
1827414304	-10% / +10%	-	3.25 W	-	3.25 W	-

Part No.	Switch-on power		Cable length	Weight
	AC 50 Hz			
1827414297	3.1 VA		3 m	0.38 kg

Part No.	Switch-on power	Cable length	Weight
	AC 50 Hz		
1827414298	3.1 VA	10 m	0.91 kg
1827414299	3 VA	3 m	0.38 kg
1827414301	3 VA	3 m	0.38 kg
1827414303	-	3 m	0.38 kg
1827414304	-	10 m	0.91 kg

Dimensions

Dimensions



L = cable length

1) Cable ID band with serial number